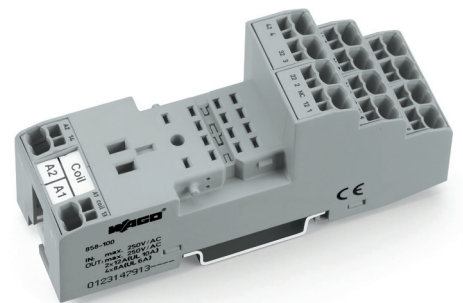
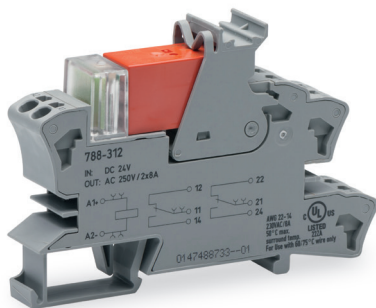


# WAGO Relay Modules

## Reliable, Versatile and Cost Effective



Part No.	Description	Box / MOQ
788-512	2 pole C/O 8A 24V AC	20
788-515	2 pole C/O 8A 115V AC	20
788-516	2 pole C/O 8A 230V AC	20
788-312	2 pole C/O 8A 24V DC	20

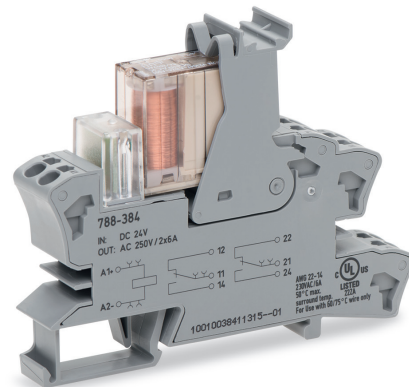
Part No.	Description	Box / MOQ
858-154	4 pole C/O 5A 24V AC	40
858-158	4 pole C/O 5A 115V AC	40
858-151	4 pole C/O 5A 230V AC	40
858-150	4 pole C/O 5A 24V DC	40
858-100	4 pole C/O Base only	40

# Functional Safety

## Detect Errors in Safety-Related Circuits



Part No.	Description	Box / MOQ
788-384	Safety relay (type A) 2 pole C/O 6A 24V DC	20



The EN 50205 standard differentiates between two contact sets by the type of positively driven operation:

Type A: Relay in which all the contacts are mechanically connect

Type B: Relays that have both mechanically connected and non-mechanically connected contacts



Type A



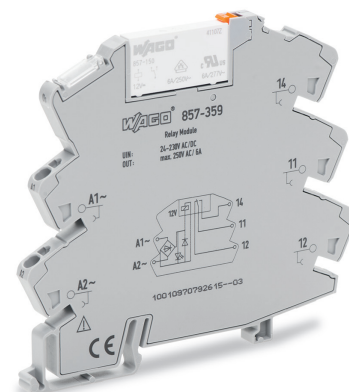
Type B

## Relays with a wide input voltage range

### Versatile



Part No.	Description	Box / MOQ
857-359	1 pole C/O 6A 24V ... 230V AC/DC	20



### Suitable applications:-

- Process
- Railway
- & more, please contact us for further details